

Project	
Date	
Prepared By	
Model #	HBU150WSCCTB1

## Specifications

### ELECTRICAL

**Watts:** 50, 80, 100, 150

**Voltage:** 120/277VAC

**Power Factor:**  $\geq 0.9$

**THD:**  $\leq 20\%$

**Operating Temp. Range:**

-40°C (-4°F) to 55°C (122°F)

### LIGHT

**Initial Lumens:** 20250

**Lumens per Watt:** 135

**Color Temperature:**  
3000K, 4000K, 5000K

**CRI:**  $>80$

**Dimming:** 0-10V

### AGENCY APPROVALS

**UL Listed:** Yes

**IP65 Rated:** Yes

**DLC® Premium:** Yes

### PRODUCT DETAILS

**Housing:**

Die-cast Alluminum Alloy

**Warranty:** 5 years

**Fixture**

**Rated Life:** 50,000 hours

**LED Lifespan:**

LM80 at 100,000 hours

**Weight:** 5 LBS

**Dimensions:**

11.3" Diameter

6.06" Height (with hook installed)



Norton Shores, Michigan 49441  
T: 231.332.1188 | F: 231.726.5029  
TOLL FREE: 866.632.7840  
www.earthtronics.com

# UFO LED Highbay

## Color & Wattage Selectable



### REBATE AVAILABILITY\*



### PRODUCT DESCRIPTION

EarthTronics LED Highbay delivers excellent energy savings then replacing up to a 1000 watt HID fixtures. This wattage selectable fixture has an 11.30" diameter design and produces up to 20250 lumens. The CCT (color) selectable feature and a high 80+ CRI rating provides excellent visual acuity for accuracy when working in various manufacturing and warehousing applications. The LED driver is equipped with 12VDC to power optional sensors or EarthConnect Bluetooth mesh systems. Sensor options are easily installed by simply screwing them into the face of the fixture. This die-cast fixture has a unique open center ventilated LED design which affords excellent heat dissipation providing high lumen maintenance over its service life. IP65 rated for wet locations. Driver is 120/277VAC with 0-10V dimming standard and compatible with several controls. High quality LED chips provide excellent lumen maintenance. This UFO High Bay ships with a standard 6' 18/3 SJT whip, 0-10v dimming wires and mounting hooks.

### PRODUCT FEATURES

- + Ultra thin design
- + 120/277VAC
- + Feature 3-stage color temperature adjustment, 4-stage brightness adjustment
- + Operating at 135 lumens per watt
- + Driver standard with 0-10V dimming (prewired)
- + Suitable for wet locations
- + Ships with standard 6' 18/3 SJT whip, 0-10v dimming wires & mounting hooks
- + IP65 wet location rated
- + Polycarbonate lens is IK08 rated
- + DLC® 5.1 Technical Requirement

Please consult installation instructions for proper application and use of this fixture.  
\*Rebate availability access it here: [www.earthtronics.com/rebate-finder](http://www.earthtronics.com/rebate-finder)

### ORDER CODE:

11776

### MODEL NUMBER:

HBU150WSCCTB1

### COLOR SELECTABLE:

3000K, 4000K, 5000K

### LUMEN LEVEL:

6750 lumens - 50 watts

10800 lumens - 80 watts

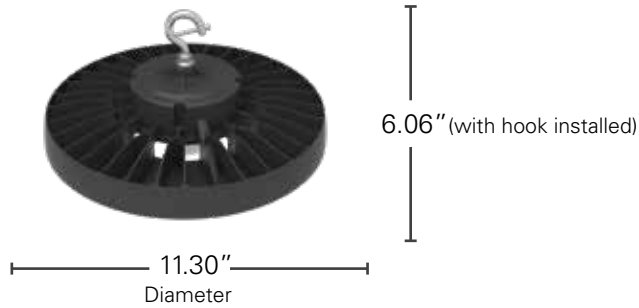
13500 lumens - 100 watts

20250 lumens - 150 watts

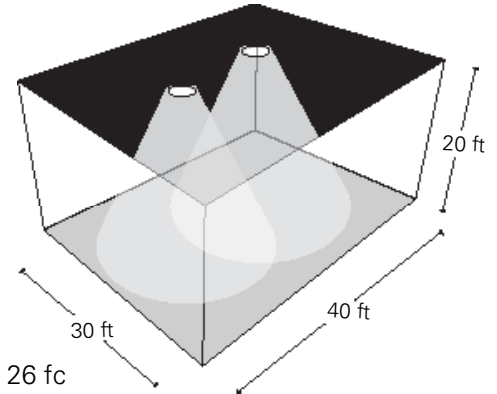
### DLC PRODUCT ID:

S-4M725V

## PRODUCT DIMENSIONS



## LIGHTING LAYOUT



## PACKAGE DETAILS

Dimensions: 15" x 15" x 5"

Weight: 6.2 LBS

UPC: 840791117767

Average Illuminance: 26 fc

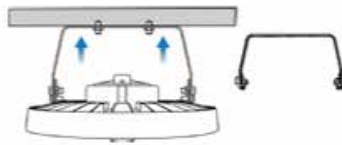
Number of Luminaires: 2

Workplane Height: 2.5 ft

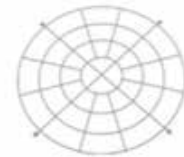
## OPTIONAL ACCESSORIES



3/4" NPT  
Pendant Adapter  
Order Code: 11782



Trunion Mount  
Order Code: 11783



Wire Guard for PC  
Reflector  
Order Code: 11781



12VDC Microwave Sensor  
Order Code: 11778



PC Reflector  
Order Code: 11784



Emergency Battery Pack  
Order Code: 11499

Note: One remote control (11779) for multiple microwave sensors.

Easily access our DLC qualified products with rebates in your area.

ACCESS IT HERE: [Rebate Finder - Highbay UFO](#)

[www.earthtronics.com/rebate-finder/catalog/](http://www.earthtronics.com/rebate-finder/catalog/)

