

Project	
Date	
Prepared By	
Model #	LDFP2X2WSCCTD1

Specifications

ELECTRICAL

Watts: 20, 30 or 35
 Voltage: 120-277VAC
 Power Factor: 0.9113
 THD: 7.86%
 Operating Temp. Range:
 -40°C (-40°F) - 40°C (104°F)

LIGHT

Lumens:
 2200, 3300 or 4000
 Color Temperature:
 3500K, 4000K, 5000K
 CRI: 80+
 Driver: 0-10V
 Operation:
 Dimmable down to 10%

AGENCY APPROVALS

ETL/FCC: Yes
 IC Rated: Yes
 DLC®: Yes

PRODUCT DETAILS

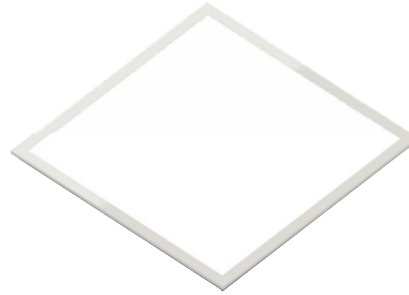
Lens Material: Acrylic
 Rated Life: 50,000 hrs.
 Warranty: 5 years
 Individual Weight:
 3.8 LBS
 Dimensions:
 23.62" Length
 23.62" Width
 1.55" Depth



Norton Shores, Michigan 49441
 T: 231.332.1188 | F: 231.726.5029
 TOLL FREE: 866.632.7840
 www.earthtronics.com

Back Light LED Panel 2x2

Color and Wattage Selectable



ORDER CODE:

11496

MODEL NUMBER:

LDFP2X2WSCCTD1

COLOR SELECTABLE:

3500K, 4000K, 5000K

LUMEN LEVEL:

2200 lumens - 20 watts
 3300 lumens - 30 watts
 4000 lumens - 35 watts

DLC PRODUCT ID:

PL8ZXRZQ08DG

REBATE AVAILABILITY*

PRODUCT DESCRIPTION

This 2x2 LED back light design provides the flexibility to insure the correct light level and color temperature desired in different applications. Select from 3500K, 4000K or 5000K color temperatures as well as 2200, 3300 or 4000 lumen levels with a switch located on the driver housing. The lightweight housing and slim design, measures only 1.5 inches in depth. The integral j-box and driver housing provide ample access for easy installation. The fixture is constructed using stamped steel back plate that provides excellent LED cooling as well as contributing rigidity to the design. The interior of the fixture is highly reflective white powder coated. The direct illumination panel is ideal for use in offices, schools, healthcare facilities and other commercial applications. This 2x2 panel features 120-277V voltage operation with an electronic driver that works with 0 – 10 volt dimming systems. DLC® listed.

PRODUCT FEATURES

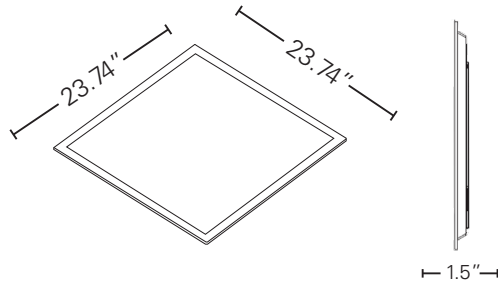
- + Select from 3500K, 4000K and 5000K at installation with a simple switch located on the driver
- + Direct illumination provides true color over the life of the product
- + Driver standard with 0-10V dimming (prewired)
- + Fixture interior painted white for over 96% reflectivity
- + Continuous dimming to 10% or below
- + Contractor friendly box for easy installation
- + Aluminum fram fits properly in drop ceiling panels
- + Extended 10 year limited warranty available
- + Integral LED lens is constructed from PMMA and provides even illumination across the face of the panel
- + DLC® Technical Requirement 5.1

APPLICATIONS

- + Offices
- + Schools
- + Healthcare Facilities
- + Commercial Applications

Please consult installation instructions for proper application and use of this fixture.
 *Rebate availability access it here: www.earthtronics.com/rebate-finder

PRODUCT DIMENSIONS



PACKAGE DETAILS

Master Carton Qty: 2

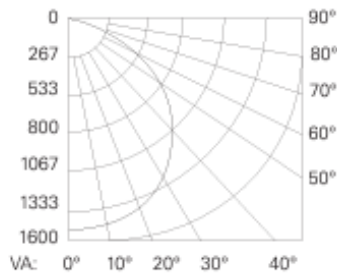
Dimensions:

24.65" Length x 25.75" Width x 3.67" Depth

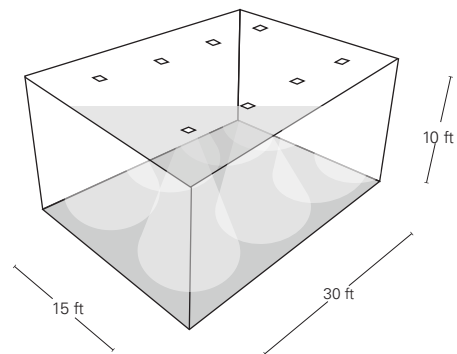
Weight: 9.4 LBS

UPC: 840791116739

LIGHT DISTRIBUTION CURVE

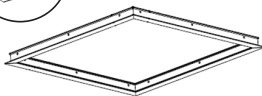


LIGHTING LAYOUT

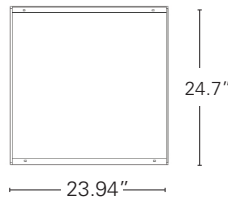


Average Illuminance: 50 fc
 Number of Luminaires: 8
 Workplane Height: 2.5 ft

OPTIONAL ACCESSORIES



Recessed Drywall Kit
 Order Code: 11101



Surface Mount
 Order Code: 11530



External Emergency Backup Unit
 Order Code: 11469



EarthConnect
 Bluetooth® Mesh
 Fixture Controller
 Order Code: 11799



EarthConnect
 Non-Bluetooth® Mesh
 Fixture Controller
 Order Code: 11800



EarthConnect
 Bluetooth® Mesh PIR
 Sensor 12V DC
 Order Code: 11801

* Wire Hanging Kit Available - Order code: 10465

Easily access our DLC qualified products with rebates in your area.

ACCESS IT HERE: [Rebate Finder - Back Light LED Panel](#)

www.earthtronics.com/rebate-finder/catalog/

