

|             |            |
|-------------|------------|
| Project     |            |
| Date        |            |
| Prepared By |            |
| Model #     | HBU20040B1 |

## Specifications

### ELECTRICAL

Watts: 200

Voltage: 100-277VAC

Power Factor:  $\geq 0.9$

THD:  $\leq 20\%$

Operating Temp. Range:  
-40°C (-4°F) to 55°C (122°F)

### LIGHT

Initial Lumens: 29500

Lumens per Watt: 140

Color Temperature: 4000K

CRI: 80+

Dimming: 0-10V

### AGENCY APPROVALS

UL/cUL: Yes

RoHS/ NSF: Yes

DLC® Premium: Yes

### PRODUCT DETAILS

Housing:

Die-cast Alluminum

Warranty: 5 years

Fixture

Rated Life: 50,000 hours

Weight: 5.95 LBS

Dimensions:

13.78" Diameter

8.27" Height

# UFO LED Highbay

29500 Lumens, 200 Watt, 4000K



### ORDER CODE:

11476

### MODEL NUMBER:

HBU20040B1

### DLC PRODUCT ID:

PL480I7X112V

### REBATE AVAILABILITY\*

### PRODUCT DESCRIPTION

EarthTronics LED Highbay delivers excellent energy savings then replacing up to a 400 watt HID fixtures. This 200 watt fixture has a 13.78" diameter design and produces 29500 lumens which is suitable for 15-25' mounting heights. It features 4000K color temperature with a high 80+ CRI providing excellent visual acuity for accuracy when working in manufacturing and warehousing applications. The die-cast housing combined with the unique open center ventilated LED array afford excellent heat dissipation providing high lumen maintenance over its service life. IP65 rated for exposed applications. Powder coat finish and stainless steel screws provide for corrosion resistant operation. 0-10V dimming standard and compatible with several controls. High quality LED chips provide for excellent lumen maintenance. DLC® Premium listed.

### LIGHTING CONTROLS

- + Easy twist install microwave sensor
- + Powerful 5.8ghz sensor for range of 45+ feet
- + Easy programming by remote
- + Functions include daylight harvesting, hold time, dim to off
- + Equipped with 12VDC for Networked Lighting Controls

### PRODUCT FEATURES

- + 100-277 VAC 50-60Hz
- + 4kV Surge Protection built in
- + Ships with standard 6' 18/3 SJT whip and mounting hook
- + Corrosion resistant finish and screws
- + IP65 wet location rated
- + NSF certified (for food safety, food processing)
- + Polycarbonate lens is IK08 rated
- + DLC® Technical Requirement 5.1

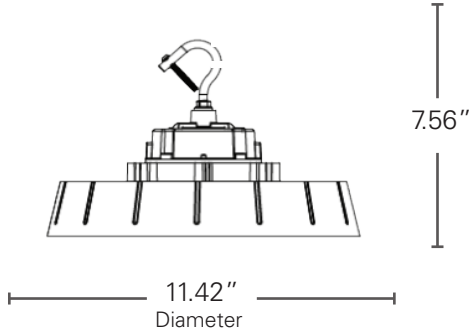
### APPLICATIONS

- + Warehouse
- + Manufacturing Facility
- + Auditorium
- + Gymnasium

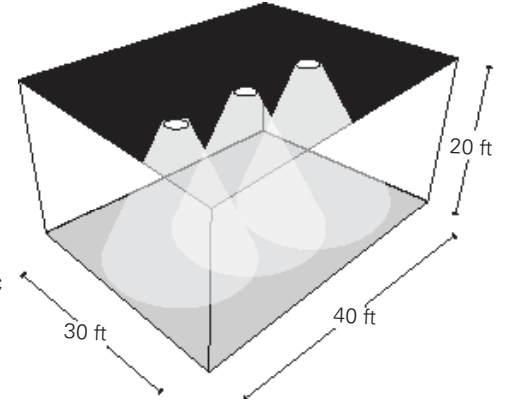
Please consult installation instructions for proper application and use of this fixture.

\*Rebate availability access it here: [www.earthtronics.com/rebate-finder](http://www.earthtronics.com/rebate-finder)

## PRODUCT DIMENSIONS



## LIGHTING LAYOUT



## PACKAGE DETAILS

Dimensions: 15.75" x 15.75" x 8.27"

Weight: 10.80 LBS

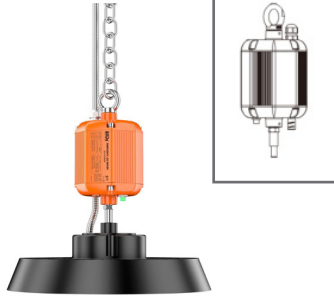
UPC: 840791114766

Average Illuminance: 36 fc

Number of Luminaires: 3

Workplane Height: 2.5 ft

## OPTIONAL ACCESSORIES



Emergency Backup Driver

Order Code: 11499



Wire Guard

Order Code: 11568



3/4" NPT  
Pendant Adapter  
Order Code: 11676



Easy Twist  
Installation

Microwave Motion Sensor

Order Code: 11480



Sensor Remote Control

Order Code: 11481  
(Use with 11480)

Easily access our DLC qualified products with rebates in your area.

ACCESS IT HERE: [Rebate Finder - Highbay UFO](#)

[www.earthtronics.com/rebate-finder/catalog/](http://www.earthtronics.com/rebate-finder/catalog/)

